

# X53 CRYSTAL



Specifications		
Parameters	Standard	Options
Frequency range	10.0 MHz – 100.0 MHz	
Frequency stability	Please specify	
Overall		
Initial at 25°C		
Temperature		
Aging first year		
Aging over .... Years		
Operating temperature	-10° C ~ +60°C	-20°C ~ +70°C -40°C ~ +85°C
Storage temperature	-40°C ~ +85°C	-55°C ~ +125°C
Load capacitance Cl	8 pF ~ 120 pF or serie	
Equivalent series resistance ESR	see ESR table	
Shunt capacity Co	< 7 pF	
Aging	± 2 ppm /first year max.	
Insulation resistance	500 Mohms minimum at 100 VDC	
Drive level	0,01 to 100 uW 10uW recommended	
Marking	Freq + Week +Year	

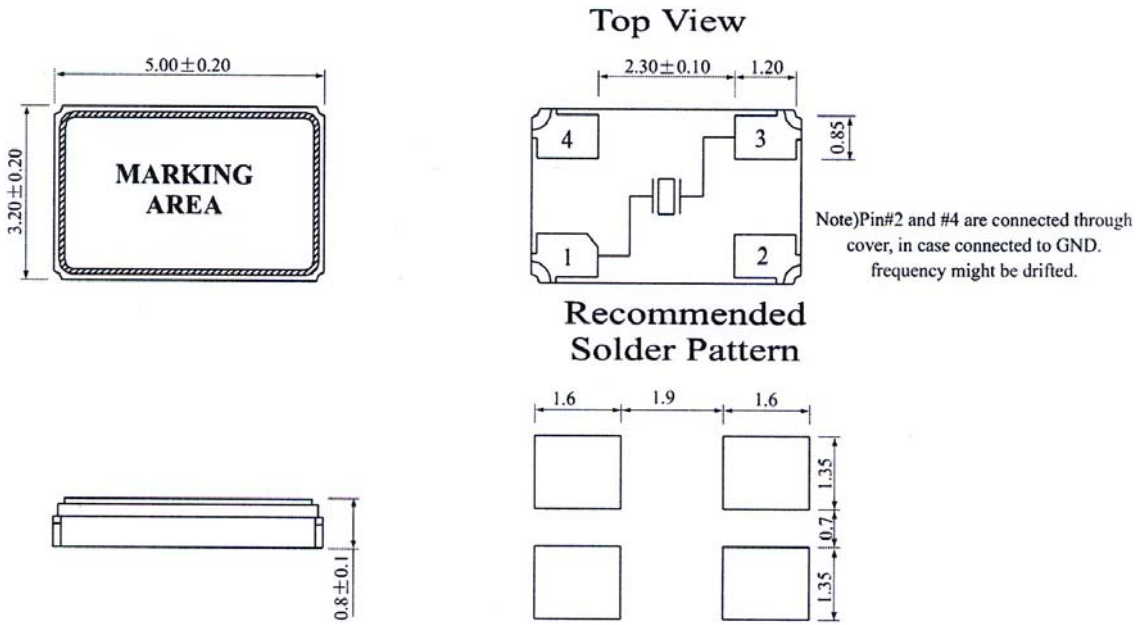
ESR table		
Frequency range	Mode	ESR ( ohms)
9,000 MHz - 9,999 MHz	Fund.	70 max.
10,000 MHz - 11,999 MHz	Fund.	60 max.
12,000 MHz - 14,999 MHz	Fund.	60 max.
15,000 MHz - 19,999 MHz	Fund.	50 max.
20,000 MHz - 54,000 MHz	Fund.	40 max.
35,000 MHz - 39,000 MHz	3 rd	100 max.
40.0 MHz – 100.0 MHz	3 rd	60 max.

# X53 CRYSTAL

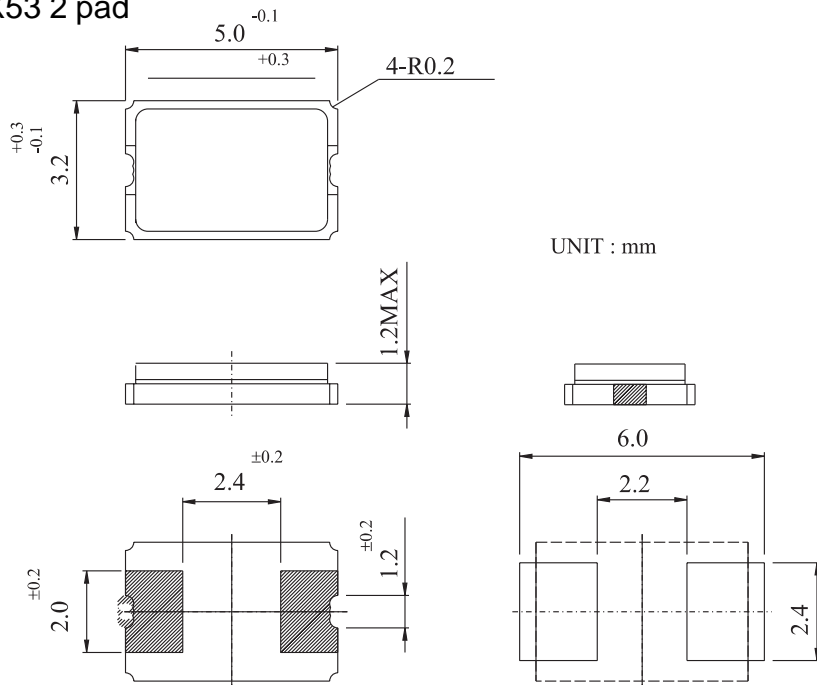
## Drawing

Package X53 4pad & X53 2pad

### X53 4 pad



### X53 2 pad



UNIT : mm

HM International

Demer 26 B-2230 Herselt BELGIUM

Tel. +32(0)14548955 Fax. +32(0)14549443

email : info@hminternational.be www.hminternational.be